



**EPM-04h General**

- 3-Phase
- Measured Parameters : V, A, Hz
- Max. / Min. and Demand Values
- Run Hour and Total Run Hour (non-resettable)
- Programmable CT and VT Ratios
- Password Protection

**Resettable Hourmeter**



**Product Code**

Product Code	3 ~ Voltage	3 ~ Current	Cosφ	Hz (Frequency)	I neutral	Demand	Max. Values	Min. Values	Alarm Contact	Under / Over Voltage Protection	Under / Over Current Protection	Under / Over Frequency Protection	RS-485 Comm.	.../5A	CT-25 (120A)	Run Hour (Resettable)	Total Hour (Nonresettable)	Flush Mount	Rail Mount	Pcs / Carton	
EPM-04-96	●	●	○	●	○	●	●	●	○	○	○	○	○	○	○	○	○	○	○	○	12
EPM-04h-96	●	●	○	●	○	●	●	●	○	○	○	○	○	○	○	○	○	○	○	○	12
EPM-04h-96-CT25	●	●	○	●	○	●	●	●	○	○	○	○	○	○	○	○	○	○	○	○	12
EPM-04-DIN	●	●	○	●	○	●	●	●	○	○	○	○	○	○	○	○	○	○	○	○	12
EPM-04C-96	●	●	○	●	○	●	●	●	○	○	○	○	○	○	○	○	○	○	○	○	12
EPM-04C-DIN	●	●	○	●	○	●	●	●	○	○	○	○	○	○	○	○	○	○	○	○	12
EPM-04CS-96	●	●	○	●	○	●	●	●	○	○	○	○	○	○	○	○	○	○	○	○	12
EPM-04CS-DIN	●	●	○	●	○	●	●	●	○	○	○	○	○	○	○	○	○	○	○	○	12
EPM-06-96	●	●	○	●	○	●	●	●	○	○	○	○	○	○	○	○	○	○	○	○	12
EPM-06-DIN	●	●	○	●	○	●	●	●	○	○	○	○	○	○	○	○	○	○	○	○	12
EPM-06C-96	●	●	○	●	○	●	●	●	○	○	○	○	○	○	○	○	○	○	○	○	12
EPM-06C-DIN	●	●	○	●	○	●	●	●	○	○	○	○	○	○	○	○	○	○	○	○	12
EPM-06CS-96	●	●	○	●	○	●	●	●	○	○	○	○	○	○	○	○	○	○	○	○	12
EPM-06CS-DIN	●	●	○	●	○	●	●	●	○	○	○	○	○	○	○	○	○	○	○	○	12
EVM-05C-96	●	●	○	●	○	●	●	●	○	○	○	○	○	○	○	○	○	○	○	○	12
EVM-05C-DIN	●	●	○	●	○	●	●	●	○	○	○	○	○	○	○	○	○	○	○	○	12

**Max. Demand**

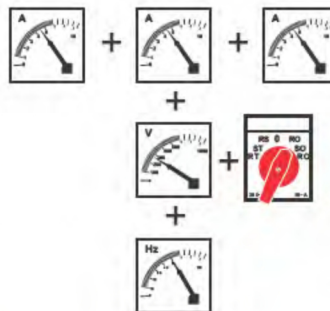
**Alarm Contact**



EPM-06-DIN

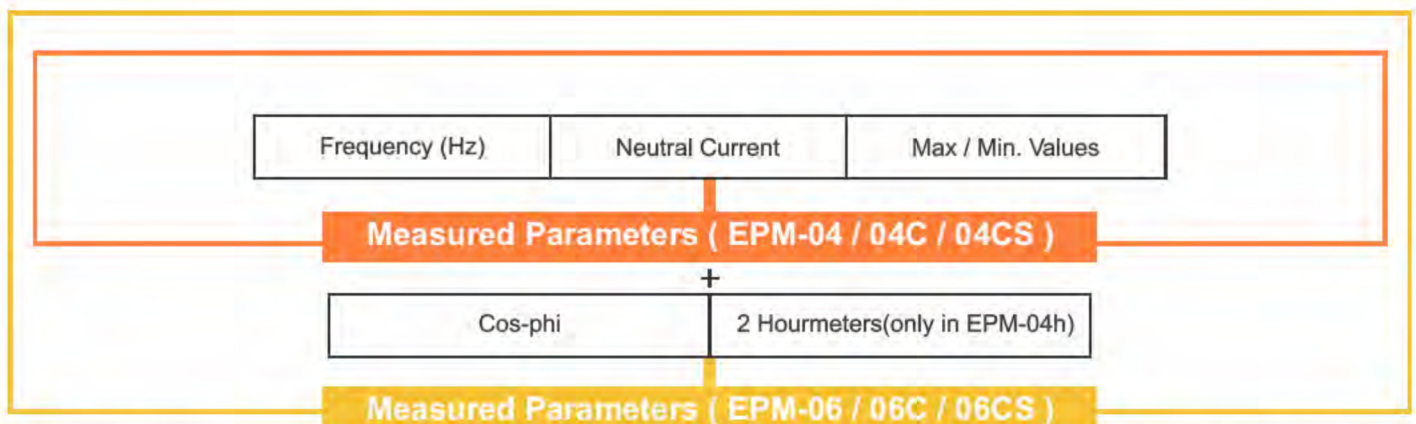


**Modbus**



EPM-06C-96

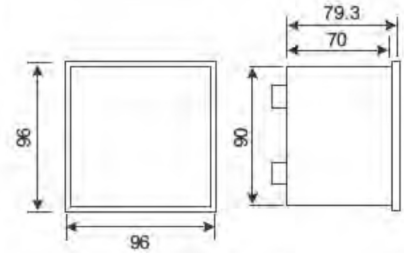
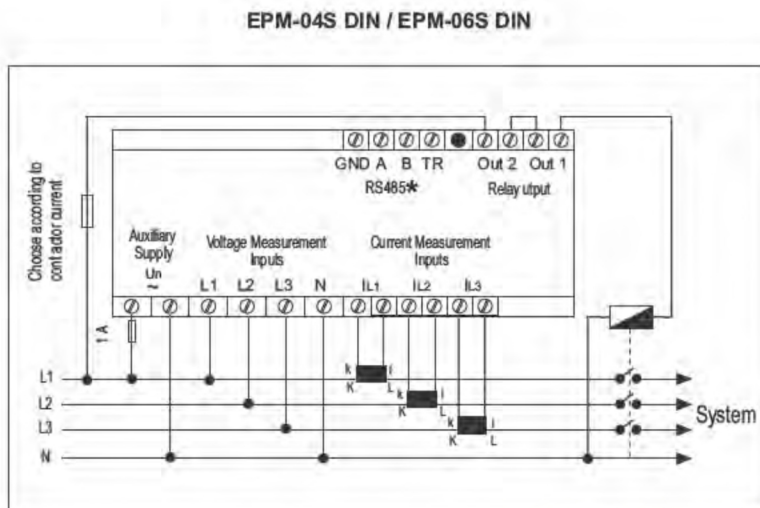
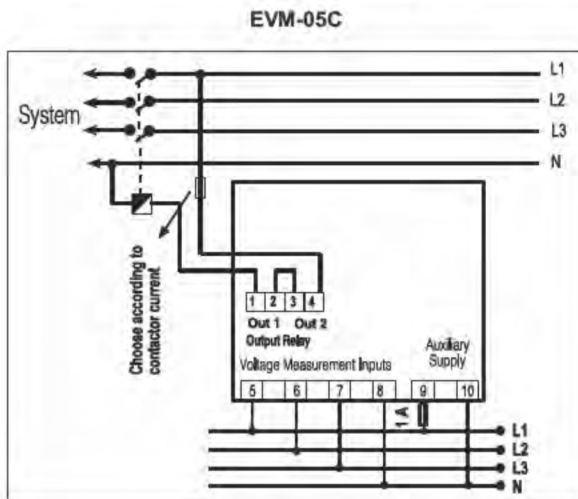
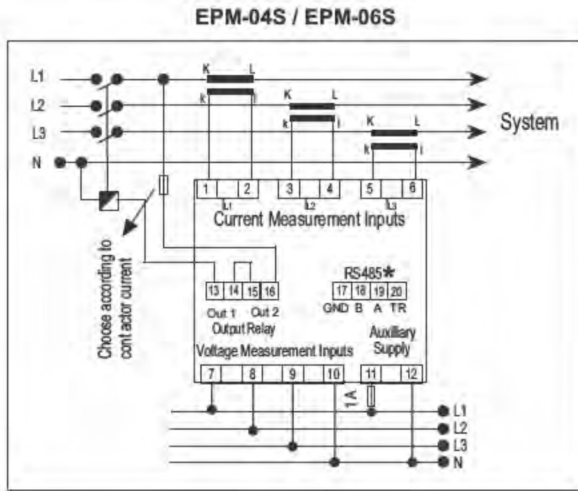
MODEL	EPM-04	EPM-04h	EPM-04C	EPM-04CS	EPM-06	EPM-06C	EPM-06CS	EVM-05C	
<b>SPECIFICATIONS</b>									
<b>HOUSING</b>									
Dimensions	96x96mm PR19,DIN6 PK26								
Protection Class	IP40 Front Panel; IP54 Optional								
Weight	0,56kg/device; One package contains 12 pcs. (PR19) / 0,52kg/device; One package contains 12 pcs. (PK26)							0,45kg/device; One package contains 12 pcs.	
Display	Red LED, Height: 10mm(PR19)9,2mm(PK26)								
<b>MEASUREMENTS</b>									
<b>Voltage</b>									
Measuring Range	10-300V AC (L-N),10-500VAC (L-L)								
Measuring Range with Transformer	Transformer Ratio: 1.0-4000								
Accuracy	%1±1 digit								
Input Impedence	1.8 MΩ								
<b>Current</b>									
Nominal Current	5.5 A								
Measurement Range	5 mA - 5,5 A Accuracy: %1 ±1digit								
Measurement Range with Transformer	50mA-10kA								
Burden	<0.5 VA								
Overload Current	1.2 In								
Demand/Demand Time	Programmable between 1-60 Minutes								
Frequency	45-65 Hz								
<b>SUPPLY</b>									
Operating Voltage	110VAC/230VAC, ±%10 veya 45-265VAC/DC								
Operating Frequency	45-65Hz								
Power Consumption	<4 VA								
<b>INPUT/OUTPUT/SETTINGS</b>									
Delay Time	0-999,9 sec. for ON- and OFF-delay time								
Contact Output	-	5A 1250VA	-	5A 1250VA					
<b>AMBIENT CONDITIONS</b>									
Ambient Temperature	-5C/+50°C								
Overvoltage Category	III								
Pollution Degree	II								
Ambient Humidity	%90								
<b>STANDARDS</b>									
Security Standards	EN 61010-1								
EMC Standards	EN 61000-6-2, EN 61000-6-4								
Mechanical Endurance	EN 60529								
<b>CONNECTIONS</b>									
Installation	Flush-mounting with rear terminals(PR 19), Rail mount(PK 26)								
Connection Terminals	Socket Type Terminal with Screws(PR19), Terminal with screws(PK26)								
Connection Types	3 Phase+Neutral(3P4W), 3 Phase(3P3W)								



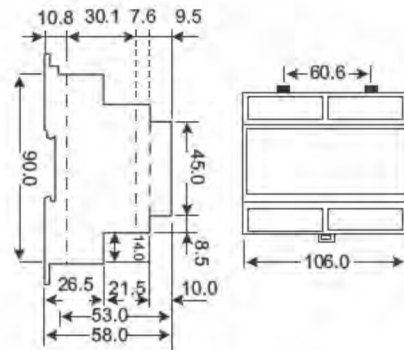
**Connection Diagram**

(PR19- 96x96mm)

**Dimensions**



**TYPE PR 19**



**TYPE DIN / PK 26**